

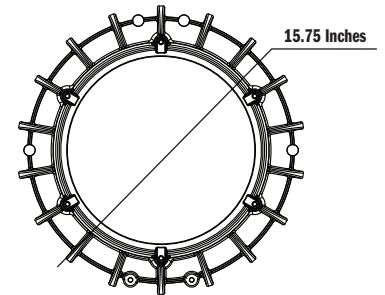
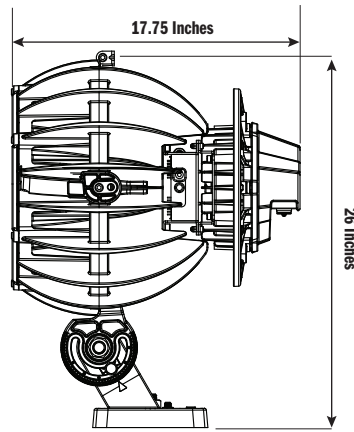
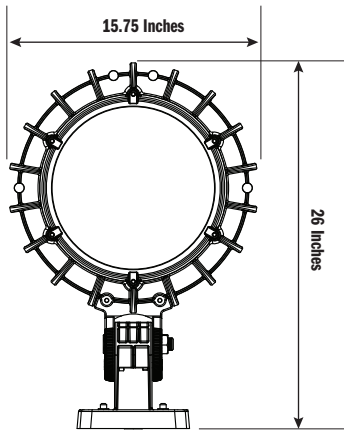
CHROMABEAMS LED 350

SPORTSBEAMS



PROJECT NAME:	TYPE:
PREPARED BY:	DATE:
DRIVER INFO:	
Type	Constant Current
90V - 305V	AVAILABLE
249V - 528V	AVAILABLE
Input Watts	350W
Output DC	48V
Efficiency	94%
LED INFO:	
Watts	320W
Color Temp	VARIABLE
Color Accuracy	70 to 90+ CRI
L70 Lifespan	100,000
Lumens	42,000
Efficacy	120 LPW

DIMENSIONS



TECHNICAL SPECIFICATIONS

CERTIFICATIONS

UL Listing:

Suitable for wet locations.

OPTICAL

Optics Types:

Symmetrical
Asymmetrical (w/visor)

NEMA Types:

VARIABLE FROM NEMA 4 to NEMA 7

Color Temperature:

Tunable from 1800K to 10,000K

RGB:

Full RGB

CONSTRUCTION

IP Rating:

Ingress protection rating of IP66 for dust and water

Maximum Ambient Temperature:

Suitable for use in 122°F

Effective Projected Area:

EPA = .82 with visor, .91 without visor

Cold Weather Starting:

Minimum starting temperature is -40°F

Thermal Management:

Passively Cooled

Lens:

Tempered glass, transparent & diffusive

Housing:

Aluminum Alloy

Mounting:

High grade steel yoke mount

Reflector:

Parabolic Reflector

ELECTRICAL

Ballast Volts:

277V~480V

Drivers:

Constant Current, 1400mA, 50/60Hz, Variability 260-528V, 4kV surge protection, 277~480V: 0.8A, THD < 20%

Power Factor:

>0.95

OTHER

Warranty:

10 Years Standard, Others Available

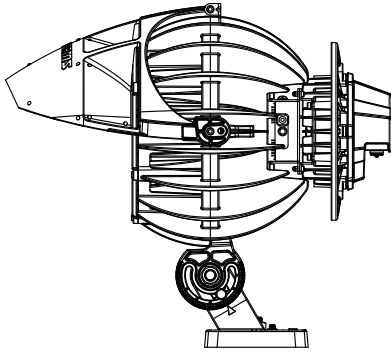
Visor:

Included

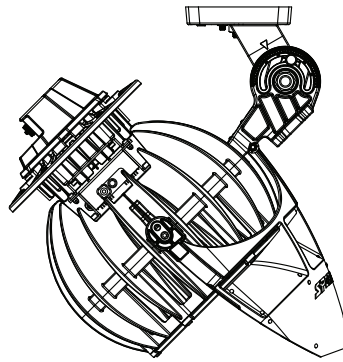
Weight:

37lb

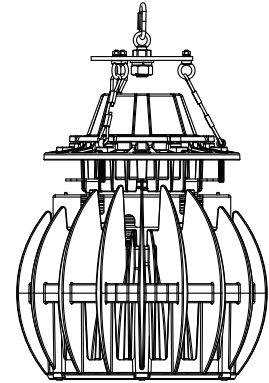
MOUNTING OPTIONS



TOP MOUNT



UNDERSLUNG



PENDANT MOUNT

ORDERING MATRIX

	WATTAGE	NEMA TYPE	COLOR TEMP	CRI	DRIVER OPTION	FINISH
S	350	5	C	70	277	G
		4 = 4H x 4V 5 = 5H x 5V 6 = 6H x 6V 7 = 7H x 7V	CHROMA	70 = 70CRI 80 = 80CRI 90 = 90CRI	480 = 249V - 528V	G = Gray B = Brown

SAMPLE SKU
S350-C-70-480-G

KEY FEATURES

- 320W LED illumination
- Up to 42,000+ lumens delivered
- Color Tunable from 1800K to 10000K
- Full RGB
- No plastics used in the light path
- Ethernet-to-DMX controllability to each fixture
- Glare-reducing, patented single glass optic for even field lighting
- High 90+ CRI color fidelity option
- Built-in over temperature protection
- IP-66 weather-tight housing & system
- 100,000+ hour rated LEDs
- IP-67 proprietary power supply with surge protection

FULL RGB, COLOR TUNING & DYNAMIC BEAM ANGLE CHANGING

Our All-In-One fixture does it all. Through DMX commands, users can adjust color temperature, utilize full-color RGB and change beam angles on the fly for the most customizable installation possible.

NO GLARE

Athletes can see the action with our lights. Our single, glass optic lights every playing surface evenly with smooth, clear light.

42,000 LUMENS

Even with RGB and color tuning built-in, the Sportsbeams Chromabeams LED 350 can still provide amazingly bright light.

VARIOUS COLOR TEMPERATURES

Through DMX commands, the 350 can be set to a color temperature be actively changed from 1800K to 10000K. The startup color temperature can be set through a direct ethernet link to the fixture.

ABSOLUTELY RUGGED

Like all of our fixtures, the Sportsbeams Chromabeams LED 350 is built for all outdoor conditions. We do complete salt spray and 3G (shock & vibe) tests from verified laboratories.