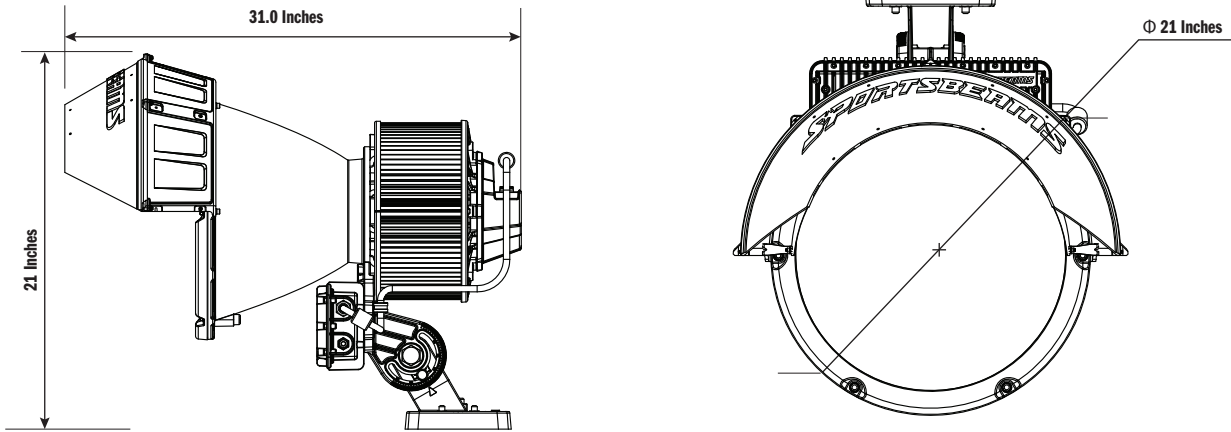




PROJECT NAME:	TYPE:
PREPARED BY:	DATE:
DRIVER INFO:	
Type	Constant Voltage
177V - 305V	Available
320V - 525V	Available
Input Watts	830W
Current Range	17A
Output DC	48V
Efficiency	95%
THD	<15%
LED INFO:	
Watts	800W
Color Temp	2700 to 6500
Color Accuracy	70 to 90+ CRI
L70 Lifespan	100,000
Maximum Lumen	86,469
Efficacy	103 LPW

DIMENSIONS



TECHNICAL SPECIFICATIONS

CERTIFICATIONS

UL Listing:

Suitable for wet locations.

Other Certifications:

CE, ETL, ROHS, LM79, 3G, UL, ik08, CB, KC



OPTICAL

Optics Types:

Symmetrical
Asymmetrical (w/visor)

NEMA Types:

NEMA 2W, NEMA 3, NEMA 4, NEMA 5,
NEMA 6

LED

Dimming:

0 ~ 100%

Flicker:

<1%

CONSTRUCTION

IP Rating:

Ingress protection rating of IP66 for dust and water

Maximum Ambient Temperature:

Suitable for use in +122°F

Effective Projected Area:

EPA = 1.73 with visor, 1.93 without visor

Weight:

40lbs

Thermal Management:

Heat Sink, Heat Pipes, Industrial Fan

Lens:

Tempered glass, transparent & diffusive

Housing:

Aluminum Alloy

Mounting:

High grade steel yoke mount

Reflector:

Parabolic Reflector

ELECTRICAL

Ballast Volts:

177-305V & 320-525V

Drivers:

Constant Voltage, 1700mA, 50/60Hz,
325-525V, 4kV surge protection, 480V:
0.8A, THD < 15%

Power Factor:

>0.95

OTHER

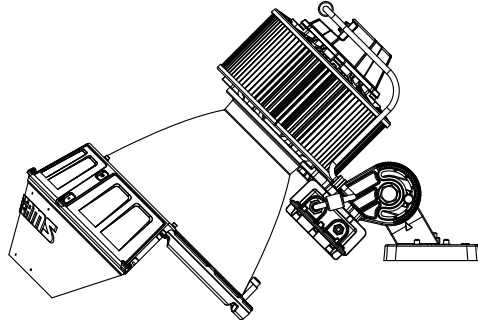
Warranty:

10 Years Standard, Others Available

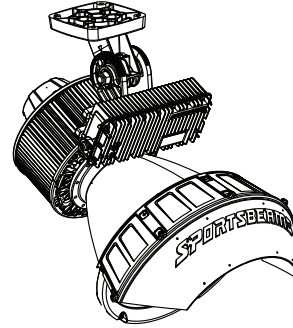
Visor:

Included

MOUNTING OPTIONS



TOP MOUNT



UNDERSLUNG

ORDERING MATRIX

	WATTAGE	NEMA TYPE	COLOR TEMP	CRI	DRIVER OPTION	FINISH
SB	800	3	5000	80	277	G
		3 = 3H x 3V	2700 = 2700k	70 = 70CRI	277 = 177V - 305V	G = Gray
		4 = 4H x 4V	3000 = 3000k	80 = 80CRI	480 = 320V - 525V	
		5 = 5H x 5V	3500 = 3500k	90 = 90CRI		
		6 = 7H x 7V	4000 = 4000k			
			5000 = 5000k			
			5700 = 5700k			
			6500 = 6500k			

SAMPLE SKU
SB800-3-5000-80-480-G

KEY FEATURES

- 800W LED illumination
- 86,000+ lumens delivered
- No plastics used in the light path
- Ethernet-to-DMX controllabilty to each fixture
- Glare-reducing, patented single glass optic for even field lighting
- High 90+ CRI color fidelity option
- Built-in over temperature protection
- IP-66 weather-tight housing & system
- Patented cooling ensures years of uninterrupted service
- 100,000+ hour rated LEDs
- IP-67 proprietary power supply with surge protection

NO GLARE

Athletes can see the action with our lights. Our single, glass optic lights every playing surface evenly with smooth, clear light.

86,000 LUMENS

The Sportsbeams Field LED 800 delivers a powerful 86,000 lumen beam efficiently and with significant control.

VARIOUS COLOR TEMPERATURES

While our standard color temperature is 5000k, we can produce custom orders with temperatures ranging from 2700k to 6500k.

ABSOLUTELY RUGGED

Like all of our fixtures, the Sportsbeams Field LED 800 is built for all outdoor conditions. We do complete salt spray and 3G (shock & vibrate) tests from verified laboratories.

ADVANCED COOLING SYSTEM

Our advanced cooling system ensures that the Sportsbeams Field LED 800 will operate consistently, year after year. Heat destroys LED fixtures fast. Our design stops damaging heat in its tracks.