

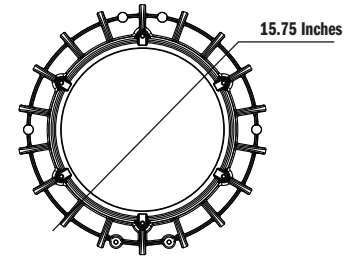
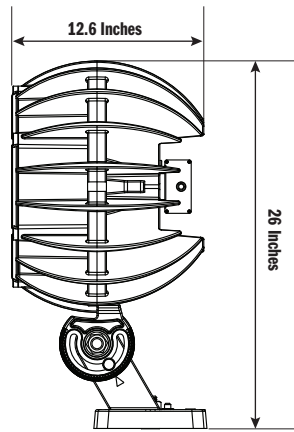
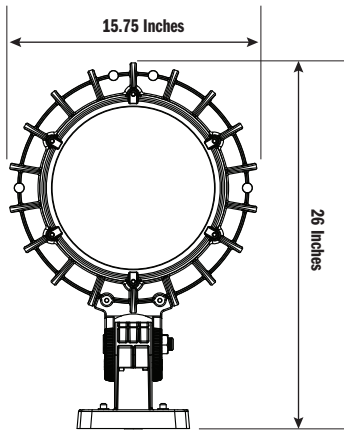
COURT LED 350



PROJECT NAME:	TYPE:
PREPARED BY:	DATE:

DRIVER INFO:		LED INFO:	
Type Constant Current	Watts 320W
90V - 305V Available	Color Temp 2200 to 6500
249V - 528V Available	Color Accuracy 70 to 90+ CRI
Input Watts 350W	L70 Lifespan 100,000
Current Range 6.7A	Maximum Lumen 44,695
Output DC 24V - 64V	Efficacy 131 LPW
Efficiency 92%		
THD <20%		

DIMENSIONS



TECHNICAL SPECIFICATIONS

CERTIFICATIONS

UL Listing:

Suitable for wet locations.

Other Certifications:

CE, ETL, ROHS, LM79, 3G, UL, ik08, CB, KC



OPTICAL

Optics Types:

Symmetrical
Asymmetrical (w/visor)

NEMA Types:

NEMA 4, NEMA 5, NEMA 6, NEMA 7

LED

Dimming:

2 ~ 100%

Flicker:

<1%

CONSTRUCTION

IP Rating:

Ingress protection rating of IP66 for dust and water

Maximum Ambient Temperature:

Suitable for use in 122°F

Effective Projected Area:

EPA = .82 with visor, .91 without visor

Weight:

37lbs

Thermal Management:

Passively Cooled

Lens:

Tempered glass, transparent & diffusive

Housing:

Aluminum Alloy

Mounting:

High grade steel yoke mount

Reflector:

Parabolic Reflector

ELECTRICAL

Ballast Volts:

90-305V & 320-525V

Drivers:

Constant Current, 1050mA, 50/60Hz, 249-528V, 4kV surge protection, 480V: 0.8A, THD < 20%

Power Factor:

>0.90

OTHER

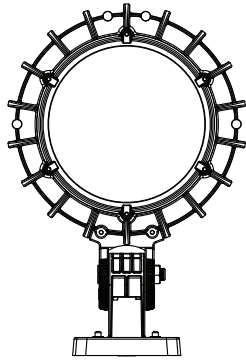
Warranty:

10 Years Standard, Others Available

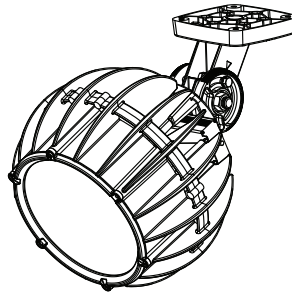
Visor:

Included

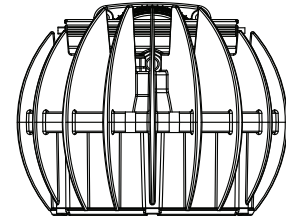
MOUNTING OPTIONS



TOP MOUNT



UNDERSLUNG



PENDANT MOUNT

ORDERING MATRIX

	WATTAGE	NEMA TYPE	COLOR TEMP	CRI	DRIVER OPTION	FINISH
SB	350	5	5000	70	277	G

4 = 4H x 4V
5 = 5H x 5V
6 = 6H x 6V
7 = 7H x 7V

2200 = 2200k
2700 = 2700k
3000 = 3000k
3500 = 3500k
4000 = 4000k
4500 = 4500k
5000 = 5000k
5700 = 5700k
6500 = 6500k

70 = 70CRI
80 = 80CRI
90 = 90CRI

277 = 90V - 305V
480 = 249V - 528V

G = Gray
B = Brown

SAMPLE SKU
SB350-5-5000-70-480-G

KEY FEATURES

- 320W LED illumination
- 44,600+ lumens delivered
- No plastics used in the light path
- 0 to 10V capability
- Glare-reducing, patented single glass optic for even field lighting
- High 90+ CRI color fidelity option
- Built-in over temperature protection
- IP-66 weather-tight housing & system
- Patented cooling ensures years of uninterrupted service
- 100,000+ hour rated LEDs
- IP-67 proprietary power supply with surge protection

NO GLARE

Athletes can see the action with our lights. Our single, glass optic lights every playing surface evenly with smooth, clear light.

44,600 LUMENS

The Sportsbeams Court LED 350 delivers a powerful 44,600 lumen beam efficiently and with significant control.

VARIOUS COLOR TEMPERATURES

While our standard color temperature is 5000k, we can produce custom orders with temperatures ranging from 2200k to 6500k.

ABSOLUTELY RUGGED

Like all of our fixtures, the Sportsbeams Court LED 350 is built for all outdoor conditions. We do complete salt spray and 3G (shock & vibrate) tests from verified laboratories.

ADVANCED COOLING SYSTEM

Our advanced cooling system ensures that the Sportsbeams Court LED 350 will operate consistently, year after year. Heat destroys LED fixtures fast. Our design stops damaging heat in its tracks.