

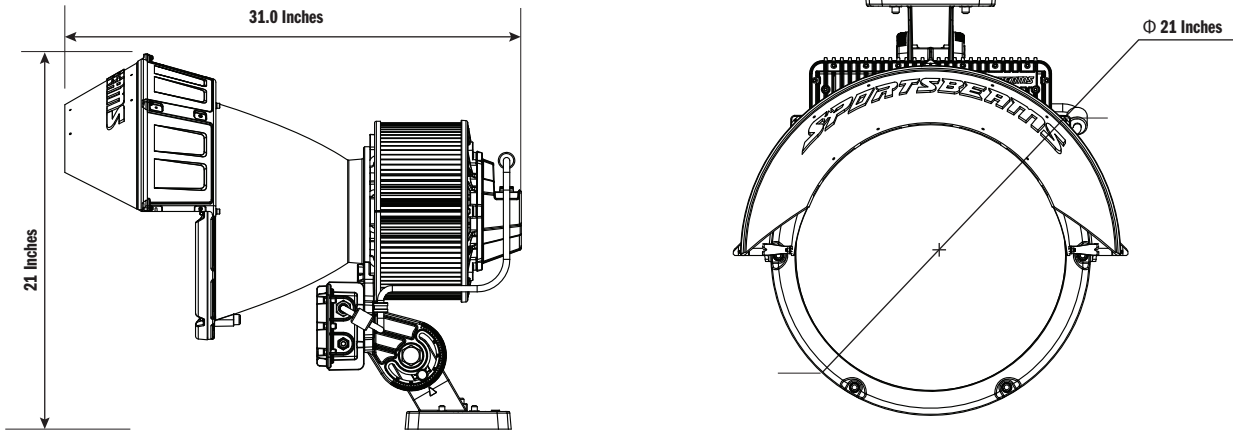
CHROMABEAMS LED 900

SPORTSBEAMS



PROJECT NAME:	TYPE:
PREPARED BY:	DATE:
DRIVER INFO:	
Type	Constant Voltage
177V - 305V	Available
305V - 550V	Available
Input Watts	885W
Current Range	16.5A MAX
Output DC	51V
Efficiency	94%
THD	<15%
LED INFO:	
Watts	885W
Color Temp	1800-10000
RGB	Integrated
Color Accuracy	70 to 90+ CRI
L70 Lifespan	100,000
Maximum Lumen	91,339
Efficacy	103 LPW

DIMENSIONS



TECHNICAL SPECIFICATIONS

CERTIFICATIONS

UL Listing:

Suitable for wet locations.

Other Certifications:

CE, ETL, ROHS, LM79, 3G, UL, ik08, CB, KC



OPTICAL

Optics Types:

Symmetrical
Asymmetrical (w/visor)

NEMA Types:

NEMA 3, NEMA 4, NEMA 5

LED

Dimming:

2 ~ 100%

Flicker:

<1%

CONSTRUCTION

IP Rating:

Ingress protection rating of IP66 for dust and water

Maximum Ambient Temperature:

Suitable for use in 122°F

Effective Projected Area:

EPA = 1.73 with visor, 1.93 without visor

Weight:

55lbs

Thermal Management:

Heat Sink, Heat Pipes, Industrial Fan

Lens:

Tempered glass, transparent & diffusive

Housing:

Aluminum Alloy

Mounting:

High grade steel yoke mount

Reflector:

Parabolic Reflector

ELECTRICAL

Ballast Volts:

177-305V & 320-525V

Driver:

Overload: Yes (Automatic)
Over Voltage: Yes
OTP: Yes (Automatic)
Surge Protection: L-N 5.5KV, L/N-PE 11KV

Power Factor:

>0.95

OTHER

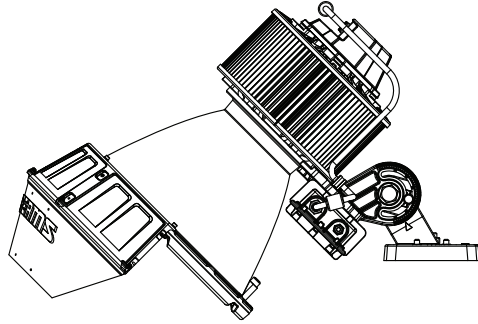
Warranty:

10 Years Standard, Others Available

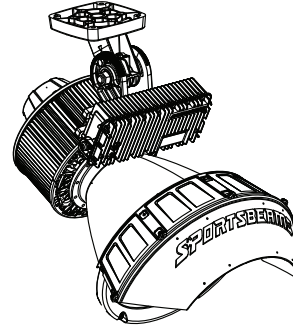
Visor:

Included

MOUNTING OPTIONS



TOP MOUNT



UNDERSLUNG

ORDERING MATRIX

	WATTAGE	NEMA TYPE	COLOR TEMP	CRI	DRIVER OPTION	FINISH
S	900	3	C	80	277	G
		3 = 3H x 3V	CHROMA	70 = 70CRI	277 = 177V - 305V	G = Gray
		4 = 4H x 4V		80 = 80CRI	480 = 320V - 525V	
		5 = 5H x 5V		90 = 90CRI		

SAMPLE SKU
S900-3-C-80-480-G

KEY FEATURES

- 885W LED illumination
- 91,000+ lumens tunable white from 1800k - 10000k
- Full-color RGB
- No plastics used in the light path
- Ethernet-to-DMX controllability to each fixture
- Glare-reducing, patented single glass optic for even field lighting
- High 90+ CRI color fidelity option
- Built-in over temperature protection
- IP-66 weather-tight housing & system
- Patented cooling ensures years of uninterrupted service
- 100,000+ hour rated LEDs
- IP-67 proprietary power supply with surge protection

SPORT WHITE LIGHT AND FULL COLOR RGB IN ONE FIXTURE

Our Chromabeams LED 900 is the only fixture on the market that can instantly switch from a full white sports light to one of millions of different colors from a single glass optic.

NO GLARE

Attendees can see the action with our lights. Our single, glass optic lights every playing surface evenly with smooth, clear light.

91,000+ LUMENS

The Chromabeams LED 900 delivers a powerful 91,000+ lumen beam efficiently and with significant control.

VARIOUS COLOR TEMPERATURES

While our standard color temperature is 5000k, we can produce custom orders with temperatures ranging from 1800k to 10000k.

ABSOLUTELY RUGGED

Like all of our fixtures, the Sportsbeams Chromabeams LED 900 is built for all outdoor conditions. We do complete salt spray and 3G (shock & vibrate) tests from verified laboratories.

ADVANCED COOLING SYSTEM

Our advanced cooling system ensures that the Chromabeams LED 900 will operate consistently, year after year. Heat destroys LED fixtures fast. Our design stops damaging heat in its tracks.