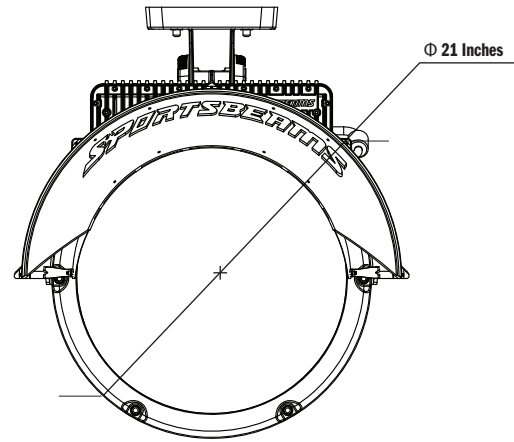
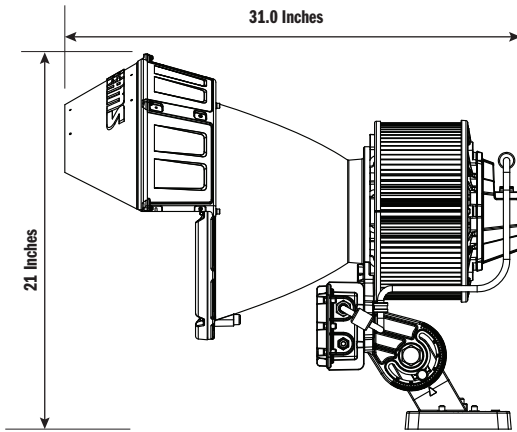


<b>PROJECT NAME:</b>	<b>TYPE:</b>
<b>PREPARED BY:</b>	<b>DATE:</b>
<b>DRIVER INFO:</b>	
Type .....	Constant Voltage
177V - 305V .....	Available
320V - 525V .....	Available
Input Watts .....	630W
Current Range .....	13A
Output DC .....	48V
Efficiency .....	95%
THD .....	<15%
<b>LED INFO:</b>	
Watts .....	600W
Color Temp .....	2700 to 6500
Color Accuracy .....	70 to 90+ CRI
L70 Lifespan .....	100,000
Lumens .....	67,233
Efficacy .....	107 LPW

## DIMENSIONS



## TECHNICAL SPECIFICATIONS

### CERTIFICATIONS

**UL Listing:**

Suitable for wet locations.

**Other Certifications:**

CE, ETL, ROHS, LM79, 3G, UL, ik08, CB, KC



### OPTICAL

**Optics Types:**

Symmetrical  
Asymmetrical (w/visor)

**NEMA Types:**

NEMA 3, NEMA 4, NEMA 5, NEMA 6

### LED

**Dimming:**

0 ~ 100%

**Flicker:**

<1%

### CONSTRUCTION

**IP Rating:**

Ingress protection rating of IP66 for dust and water

**Maximum Ambient Temperature:**

Suitable for use in 122°F

**Effective Projected Area:**

EPA = 1.73 with visor, 1.93 without visor

**Weight:**

39lbs

**Thermal Management:**

Heat Sink & Heat Pipes

**Lens:**

Tempered glass, transparent & diffusive

**Housing:**

Aluminum Alloy

**Mounting:**

High grade steel yoke mount

**Reflector:**

Parabolic Reflector

### ELECTRICAL

**Ballast Volts:**

177-305V & 320-525V

**Drivers:**

Constant Voltage, 1300mA, 50/60Hz, 325-525V, 4kV surge protection, 480V: 0.8A, THD < 15%

**Power Factor:**

>0.98

### OTHER

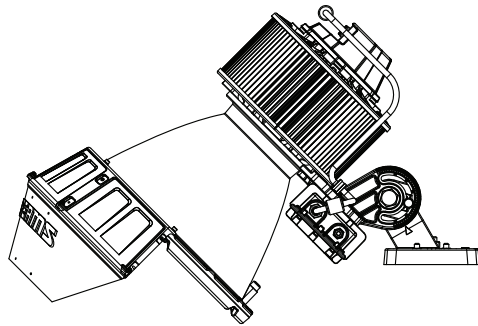
**Warranty:**

10 Years Standard, Others Available

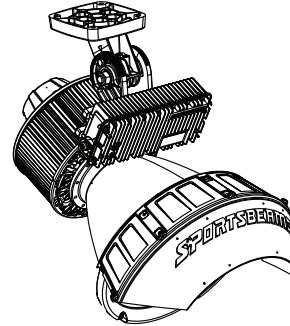
**Visor:**

Included

**MOUNTING OPTIONS**



**TOP MOUNT**



**UNDERSLUNG**

**ORDERING MATRIX**

	WATTAGE	NEMA TYPE	COLOR TEMP	CRI	DRIVER OPTION	FINISH
<b>SB</b>	<b>600</b>	<b>4</b>	<b>5000</b>	<b>90</b>	<b>277</b>	<b>G</b>
		<b>3</b> = 3H x 3V	<b>2700</b> = 2700k	<b>70</b> = 70CRI	<b>277</b> = 177V - 305V	<b>G</b> = Gray
		<b>4</b> = 4H x 4V	<b>3000</b> = 3000k	<b>80</b> = 80CRI	<b>480</b> = 320V - 525V	
		<b>5</b> = 5H x 5V	<b>3500</b> = 3500k	<b>90</b> = 90CRI		
		<b>6</b> = 7H x 7V	<b>4000</b> = 4000k			
			<b>5000</b> = 5000k			
			<b>5700</b> = 5700k			
			<b>6500</b> = 6500k			

**SAMPLE SKU**  
**SB600-4-5000-90-277-G**

**KEY FEATURES**

- 600W LED illumination
- 67,000+ lumens delivered
- No plastics used in the light path
- Ethernet-to-DMX controllability to each fixture
- Glare-reducing, patented single glass optic for even field lighting
- High 90+ CRI color fidelity option
- Built-in over temperature protection
- IP-66 weather-tight housing & system
- Patented cooling ensures years of uninterrupted service
- 100,000+ hour rated LEDs
- IP-67 proprietary power supply with surge protection

**NO GLARE**

Athletes can see the action with our lights. Our single, glass optic lights every playing surface evenly with smooth, clear light.

**67,000 LUMENS**

The Sportsbeams Arena LED 600 delivers a powerful 67,000 lumen beam efficiently and with significant control.

**VARIOUS COLOR TEMPERATURES**

While our standard color temperature is 5000k, we can produce custom orders with temperatures ranging from 2700k to 6500k.

**ABSOLUTELY RUGGED**

Like all of our fixtures, the Sportsbeams Arena LED 600 is built for all outdoor conditions. We do complete salt spray and 3G (shock & vibrate) tests from verified laboratories.

**ADVANCED COOLING SYSTEM**

Our advanced cooling system ensures that the Sportsbeams Arena LED 600 will operate consistently, year after year. Heat destroys LED fixtures fast. Our design stops damaging heat in its tracks.