

## FIELD LED 900

MORE POWER.  
MORE COOLING.



COLOR TUNABLE  
WHITE



GLARE-FREE



BROADCAST  
QUALITY



NO PLASTIC  
LENSES



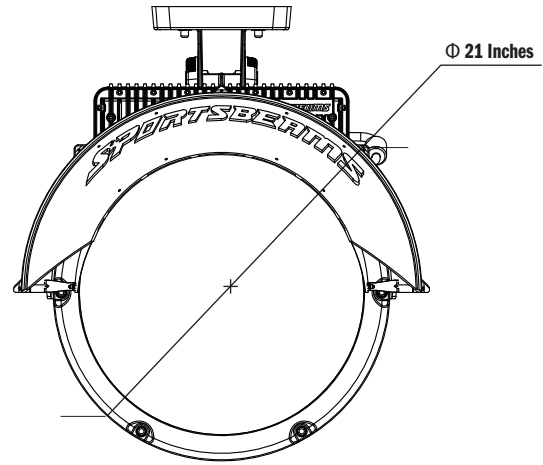
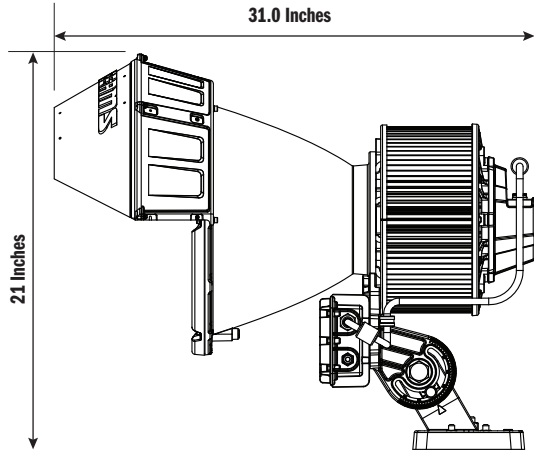
ACTIVE COOLING  
SYSTEM



ADVANCED  
INTELLIGENCE

- 880W LED illumination
- Color Tunable White Lights
- Patented cooling system
- 106,000+ lumens delivered
- 70 CRI - 90 CRI
- No Plastics in Light Path, or Housing
- Direct DMX Controllable

# DIMENSIONS



## GENERAL SPECIFICATIONS

PRODUCT NAME	FIELD LED 900
BEAM TYPES	NEMA 3, NEMA4, NEMA5, NEMA6
APPLICATION	Indoor/Outdoor Sports Lighting
IP GRADE	IP66
AMBIENT TEMPERATURE	-40 ° F to +122 ° F
CERTIFICATIONS	CE, ETL, ROHS, LM79, 3G, UL, ik08, CB, KC, UL 924

## MECHANICAL

DIMENSIONS	31" x 21" x 21"
MOUNTING	Yoke Mount
YOKE MATERIAL	Aluminum Alloy
PCB MATERIAL	MCPCB
LAMP HOUSING MATERIAL	Aluminum Alloy
LENS MATERIAL	Tempered Glass
LENS TYPE	Transparent & Diffusive
FIXTURE WEIGHT	55 lbs
WIND LOAD	EPA @ front = 1.73 with visor

## POWER SUPPLY

INPUT	Voltage Range	177V - 305V, 320 - 480V
	Frequency Range	50-60 Hz
	PF	>0.95
	THD	<15%
	Inrush Current	>40A
	Operation Current	4.2A@220V; 2.9A@480V
	Maximum Power	930W
OUTPUT	DC Voltage	51V
	Current Range	16.8A
PROTECTION	Overload	YES
	Over Voltage	YES
	Over Temperature	YES
	IP -Grade	IP-66
	Surge Protection	L-N 5.5KV, LN-PE 11KV

## LIGHT ENGINE

CCT	2700k to 6500k (option)
CRI	70 80 90 (option)
LUMINAIRE EFFICIENCY	≥120LM/W (70CRI)
DELIVERED LUMENS	106,099
FLICKER	<1%
DIMMING	0~100%
LUMEN MAINTENANCE (LED)	L80 ≥100,000 hrs
DIMMING RESOLUTION	<1W



1.888.905.6680

sales@sportsbeams.com | www.sportsbeams.com